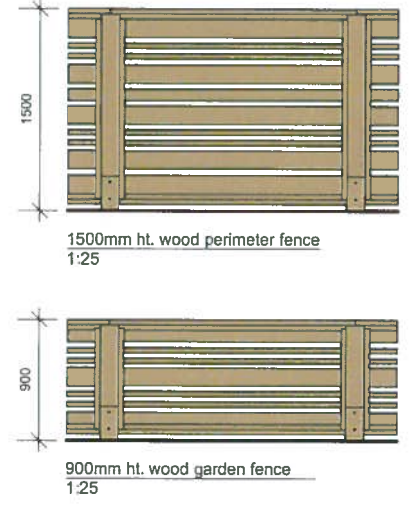


Recommended Nursery Stock

Category	Botanical Name	Common Name	Size
Trees Total: 29	Acer freemanii 'Armstrong'	Armstrong Maple	6cm cal.
	Acer palmatum 'Sango Kaku'	Coral Bark Japanese Maple	6cm cal.
	Acer rubrum 'Karpick'	Karpick Maple	6cm cal.
	Acer 'Warrenred' Pacific Sunset	Pacific Sunset Maple	6cm cal.
	Boulevard Tree (TBD by Saanich)	Boulevard Tree	6cm cal.
Large Shrubs Total: 94	Mahonia x media 'Charity'	Charly Mahonia	#5 pot
	Pieris 'Forest Flame'	Forest Flame Pieris	#15 pot
	Taxus x media 'Hicksii'	Hicks Yew	1.5m ht
Medium Shrubs Total: 46	Hydrangea macrophylla 'Lanarth White'	Lanarth White Hydrangea	#5 pot
	Nandina domestica	Heavenly Bamboo	#5 pot
	Nandina domestica 'Gulf Stream'	Gulf Stream Heavenly Bamboo	#1 pot
	Pieris japonica 'Prelude'	Prelude Pieris	#1 pot
Small Shrubs Total: 259	Azalea japonica 'Herbert'	Herbert Evergreen Azalea	#5 pot
	Cistus x hybridus	White Rockrose	#3 pot
	Comus stolonifera 'Kelsey'	Kelsey Dogwood	#1 pot
	Escallonia 'Newport Dwarf'	Newport Dwarf Escallonia	#3 pot
	Lavandula stoechas 'Otto Quast'	Spanish Lavender	#1 pot
	Rosa 'Flamingo Kolorscape'	Flamingo Kolorscape Landscape Rose	#1 pot
Perennials, Annuals and Ferns Total: 461	Blechnum spicant	Deer Fern	#1 pot
	Calamagrostis x acutiflora 'Karl Foerster'	Karl Foerster Feather Reed Grass	#1 pot
	Helictotrichon sempervirens	Blue Oat Grass	#1 pot
	Hemerocallis 'Stella de Oro'	Stella de Oro Daylily	#1 pot
	Iris douglasiana	Pacific Coast Iris	#1 pot
	Polystichum setiferum	Alaska Fern	#1 pot
	Stipa tenuissima	Mexican Feather Grass	#1 pot
Groundcovers Total: 38	Fragaria chiloensis	Coastal Strawberry	#SP3 pot

- Notes:
- All work to be completed to current BCSLA Landscape Standards
 - All soft landscape to be irrigated with an automatic irrigation system



LEGEND

- (+ in circle) Existing tree retained
- (+ in dashed circle) Existing tree removed



1586 North Dairy Road | Landscape Concept

RECEIVED
AUG 25 2017
PLANNING DEPT
DISTRICT OF SAANICH

LADR LANDSCAPE ARCHITECTS
28-450 Dupplin Rd., Victoria B.C. V8Z 1B8
Phone: (250) 598-0105 Fax: (250) 412-0696
Project No: 1615